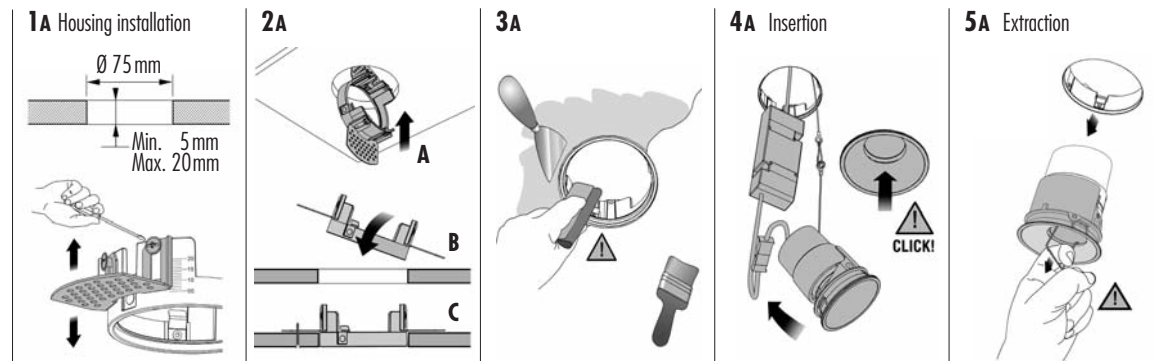
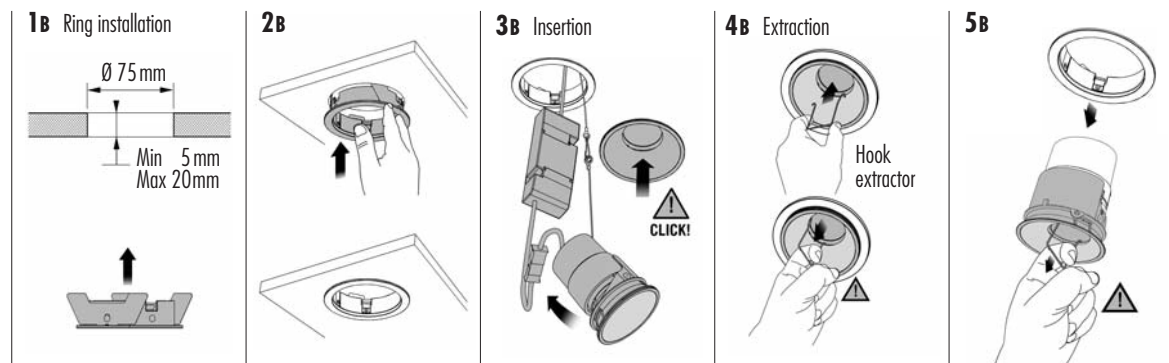


X1 - X2 - X3 - X4 (A-B)

XA: trimless



XB: with trim



Series XA  
trimless



X1 A



X2 A



X3 A



X4 A

Series XB  
with trim



X1 B



X2 B



X3 B



X4 B

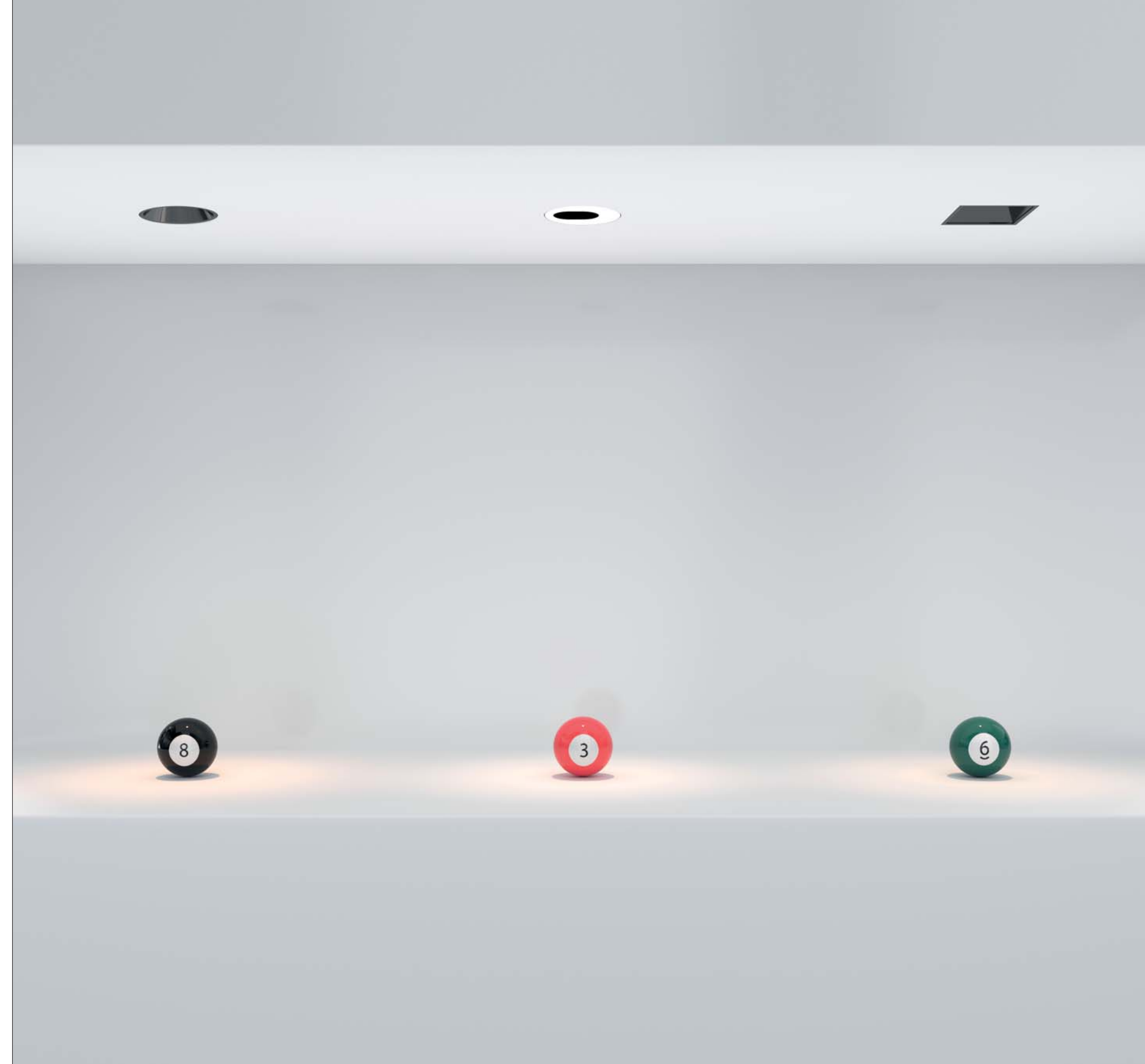
---

## Visual comfort lighting

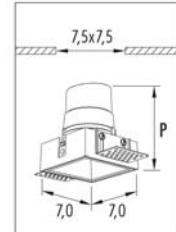
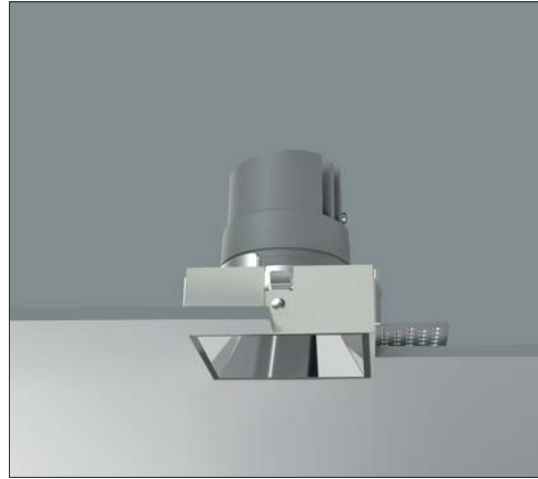
*A study was applied to the minimalist design to increase the visual comfort, reducing glare (UGR <19) thanks to optics with non-reflective finishes.*

*The "Easy" technology allows - when needed - to replace the light source without removing the structure while keeping the ceiling intact.*

*The application possibilities of these items go from residential use to contract market, from installation in offices as well as in hotels.*



X4A 7,0x7,0 trimless (only for plasterboard)



UGR<19



02 Black  06 White

CH Chrome  CB Black Chrome  GD Gold

	X4A	P
3X4A.210.□	GU10 led	—
3X4A.K■▲.□	led 9,5W	13,0
3X4A.x2■S.□	led 8,0W	8,9

IP40	CE	▽	□
220V ÷ 240V			
3X4A.210.□	GU10 led		

IP40	Flicker < 20%	CE	▽	□
220V ÷ 240V	LED 9,5W	CRI>90		
3X4A.K■▲.□	dim IGBT - TRIAC			

Led color	Nominal lm	Beam spread
2 = 2700 °K	834	M = 36°
3 = 3000 °K	877	S = 24°

IP40	MC-E=3	CE	▽	⊕
200m/A	LED 8W	CRI>95	Driver included	
3X4A.02■S.□	ON/OFF			
3X4A.E2■S.□	DALI - Push			
3X4A.G2■S.□	0...10V			
3X4A.D2■S.□	dim IGBT - TRIAC			

Led color	Nominal lm	Beam spread
2 = 2700 °K	829	24°
3 = 3000 °K	872	

Housing for plasterboard 7,4x7,4 cm

● 1X00.04A.01

Option: Honeycomb cover Ø 3,8 cm

1XG3.H50.02

Option: Striped glass Ø 3,8 cm

1XG3.G50.ST

