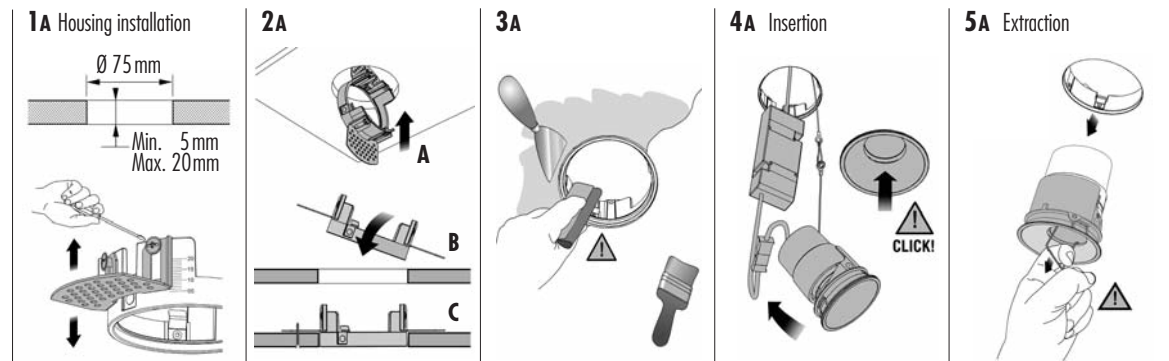
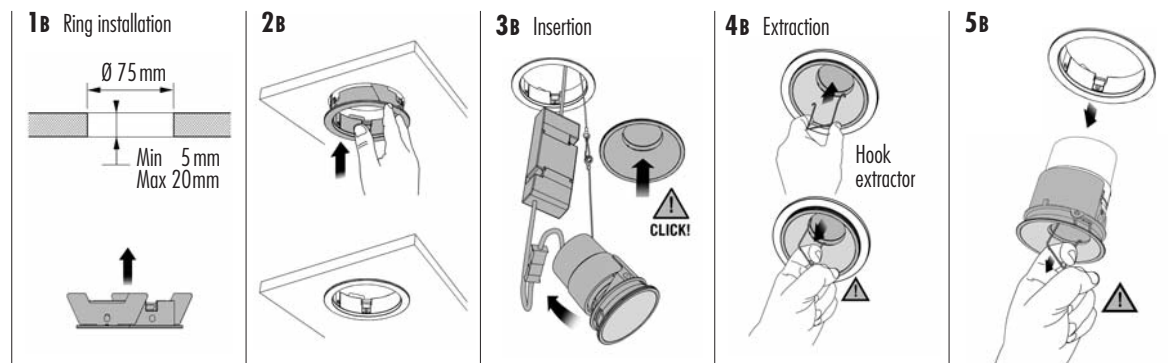


X1 - X2 - X3 - X4 (A-B)

XA: trimless



XB: with trim



Series XA
 trimless



Series XB
 with trim

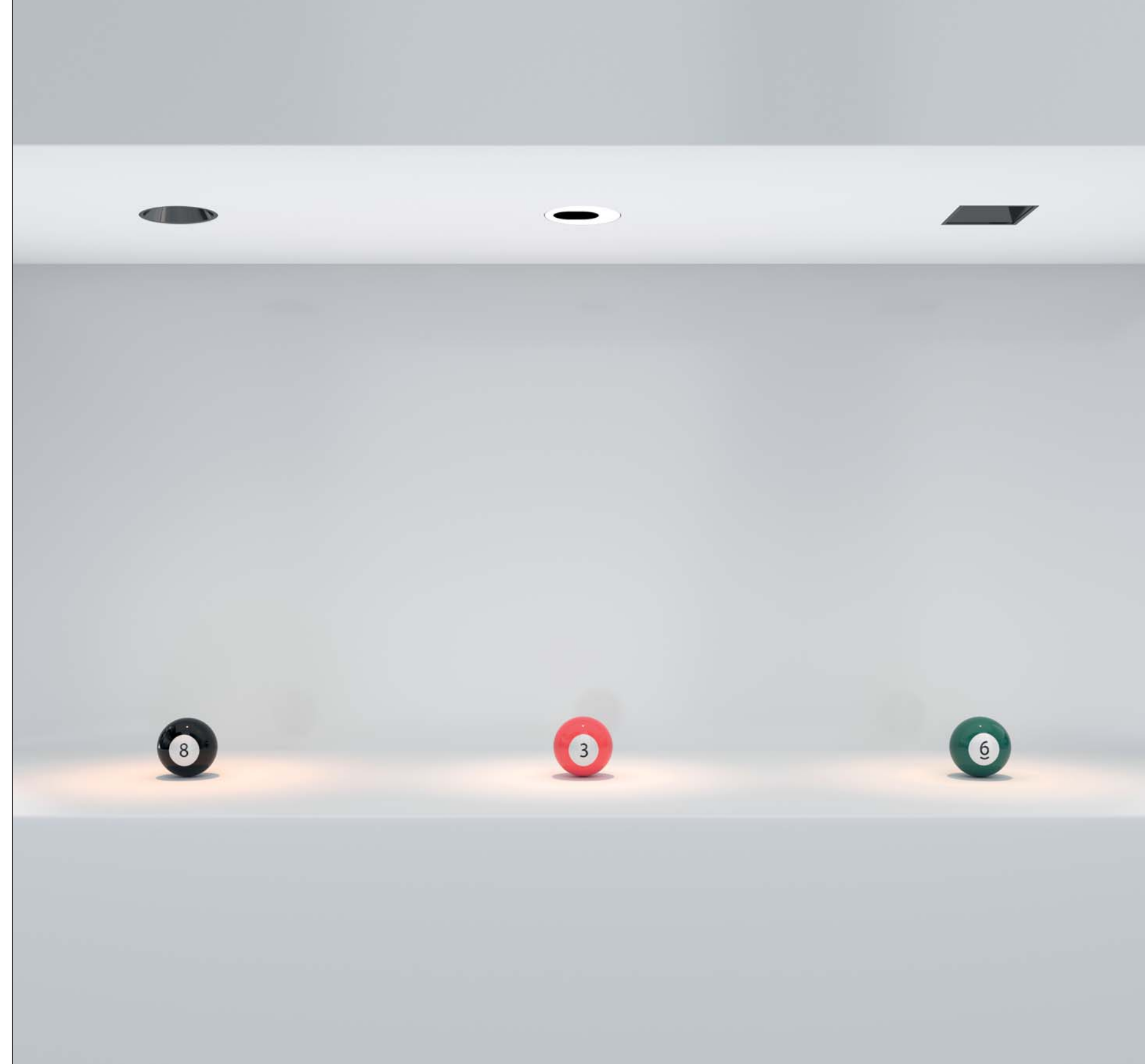


Visual comfort lighting

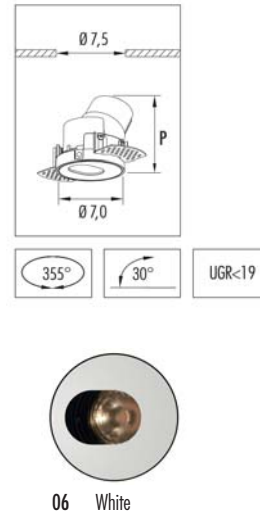
A study was applied to the minimalist design to increase the visual comfort, reducing glare (UGR <19) thanks to optics with non-reflective finishes.

The "Easy" technology allows - when needed - to replace the light source without removing the structure while keeping the ceiling intact.

The application possibilities of these items go from residential use to contract market, from installation in offices as well as in hotels.



X3A Ø 7,0 trimless (only for plasterboard)



	X3A	P
3X3A.210.□	GU10 led	—
3X3A.K■▲.□	led 9,5W	13,0
3X3A.x2■S.□	led 8,0W	8,9

06 White

IP40 ☒	CE ▽ □	
220V ÷ 240V		
3X3A.210.06	GU10 led	
IP40	Flicker < 20% CE ▽ □	
220V ÷ 240V	LED 9,5W CRI>90	
3X3A.K■▲.06	dim. IGBT - TRIAC	
■ Led color	Nominal lm	▲ Beam spread
2 = 2700°K	834	M = 36°
3 = 3000°K	877	S = 24°
IP40 ©	MC-E=3 CE ▽ ⚡	
200m/A	LED 8W CRI>95 Driver included	
3X3A.02■S.06	ON/OFF	
3X3A.E2■S.06	DALI - Push	
3X3A.G2■S.06	0...10V	
3X3A.D2■S.06	dim. IGBT - TRIAC	
■ Led color	Nominal lm	▲ Beam spread
2 = 2700°K	829	24°
3 = 3000°K	872	
Housing for plasterboard ⤷ Ø 7,5cm		

● 1X00.0XA.01

X3B Ø 8,5 with trim (for plasterboard)



	X3B	P
3X3B.210.□	GU10 led	—
3X3B.K■▲.□	led 9,5W	13,0
3X3B.x2■S.□	led 8,0W	8,9

06 White

IP40 ☒	CE ▽ □	
220V ÷ 240V		
3X3B.210.06	GU10 led	
IP40	Flicker < 20% CE ▽ □	
220V ÷ 240V	LED 9,5W CRI>90	
3X3B.K■▲.06	dim. IGBT - TRIAC	
■ Led color	Nominal lm	▲ Beam spread
2 = 2700°K	834	M = 36°
3 = 3000°K	877	S = 24°
IP40 ©	MC-E=3 CE ▽ ⚡	
200m/A	LED 8W CRI>95 Driver included	
3X3B.02■S.06	ON/OFF	
3X3B.E2■S.06	DALI - Push	
3X3B.G2■S.06	0...10V	
3X3B.D2■S.06	dim. IGBT - TRIAC	
■ Led color	Nominal lm	▲ Beam spread
2 = 2700°K	829	24°
3 = 3000°K	872	

