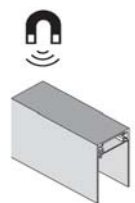


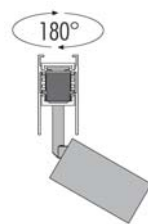
X-Rail

X-Rail is a magnet track system with low voltage of 48V, available in the following versions: recessed trimless (only for plasterboard), surface or pendant. The 4 track conductors can be used for an on/off power supply circuit, or for a dimmable "Noise Free" circuit, as described in the wiring schemes. X-Gun, X-Dark, X-Line and X-Pendant products are suitable for different needs of lighting. They are fixed into the X-Rail profile by the magnet and the click safety lock.

Magnet system



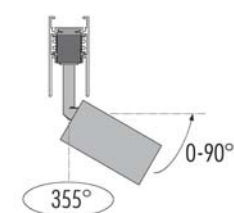
Bidirectional installation



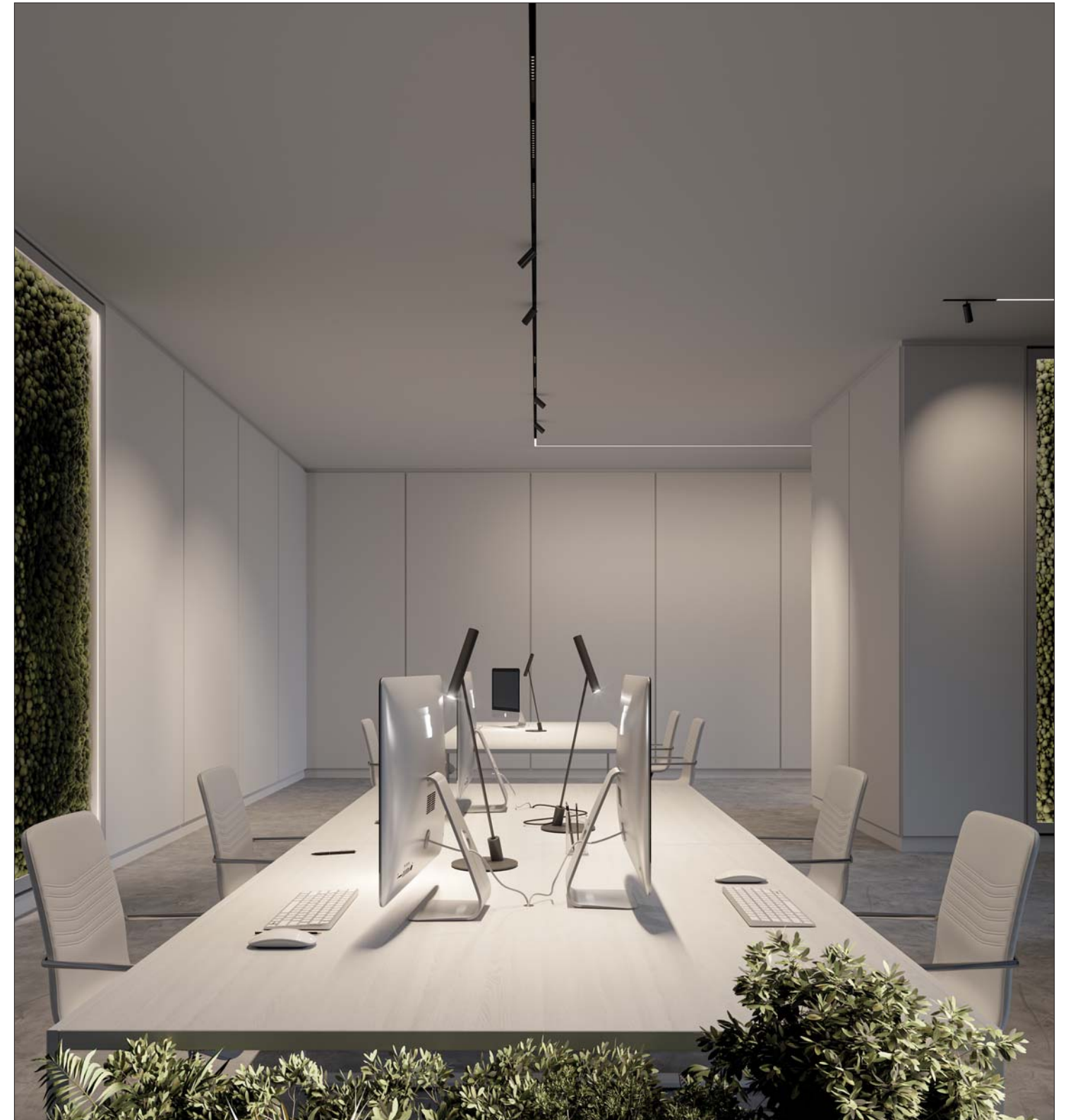
Click&Safety Lock

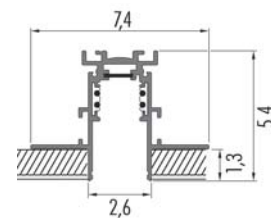


Adjustable

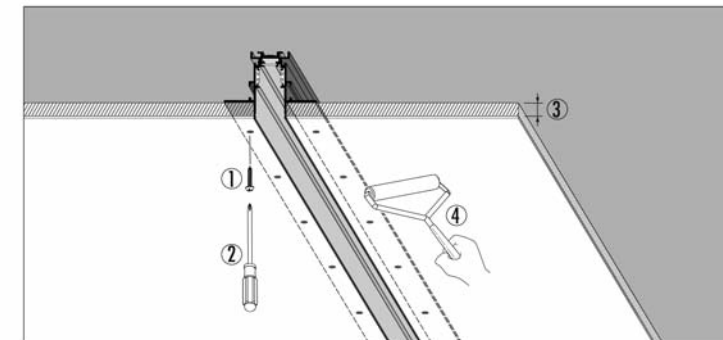


WIFI Technology by App

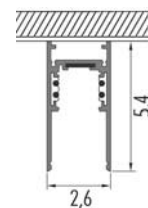




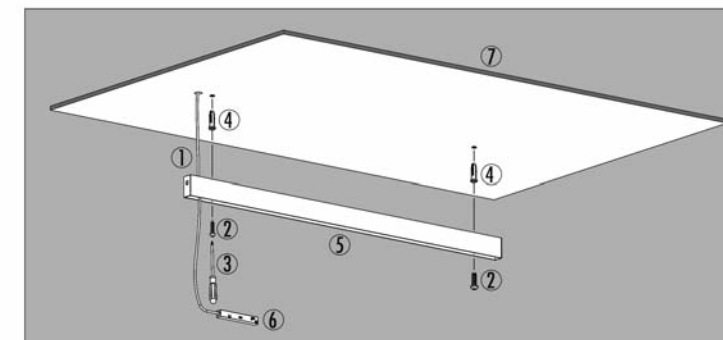
Recessed trimless (only for plasterboard)



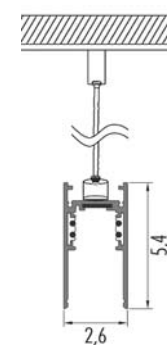
- 1 Screw
- 2 Screw Driver
- 3 Gypsum Board 13,3mm
- 4 Plastering



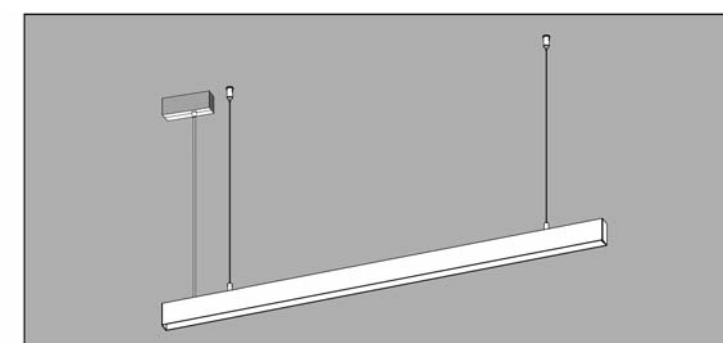
Surface



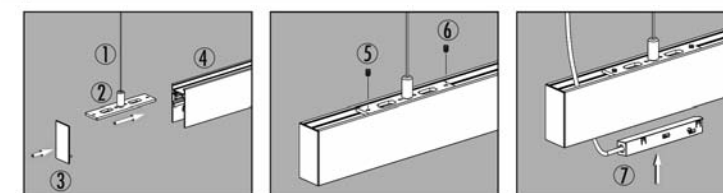
- 1 DC 48V Input
- 2 Screw
- 3 Screw Driver
- 4 Expansion Screw
- 5 Track
- 6 DC Connecting Box
- 7 Ceiling



Pendant



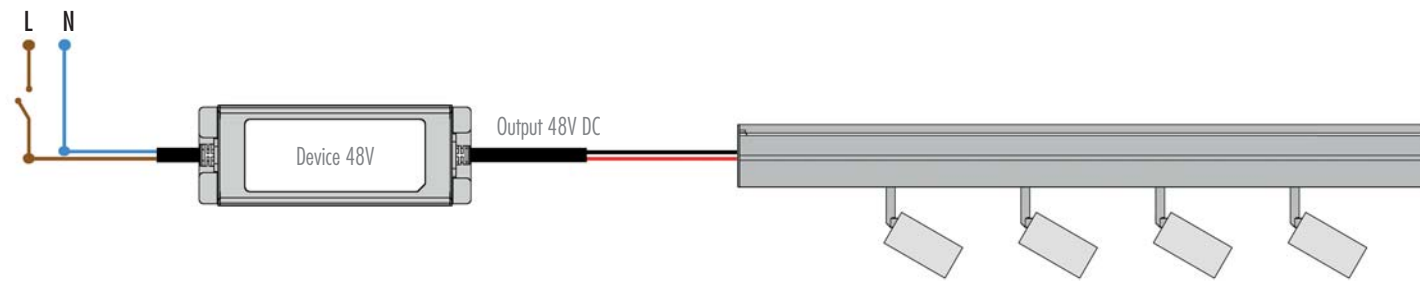
- 1 Steel cable
- 2 Mounting Plate
- 3 End cup for track
- 4 Track
- 5 Screw
- 6 Screw
- 7 DC Connecting Box



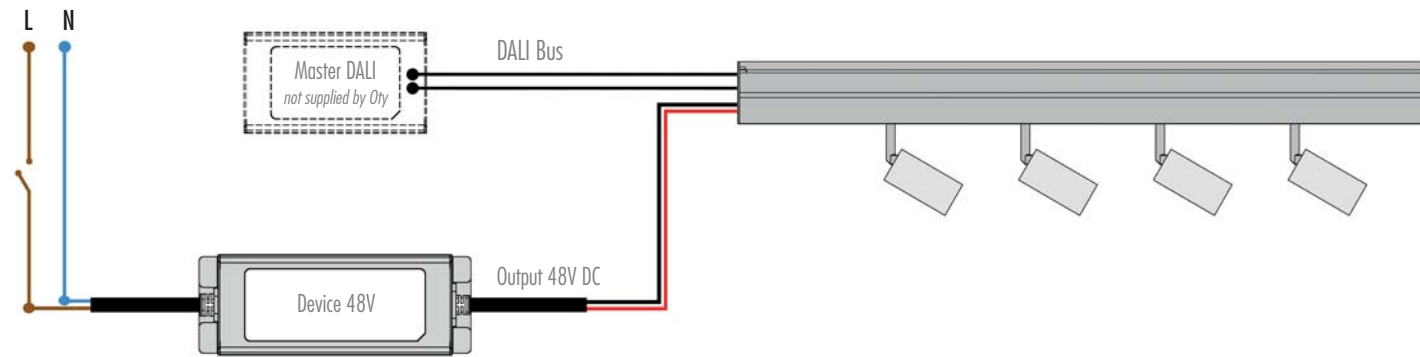
◀ Surface track installed on an exposed concrete ceiling by using an appropriate predisposition

Devices Installation Scheme

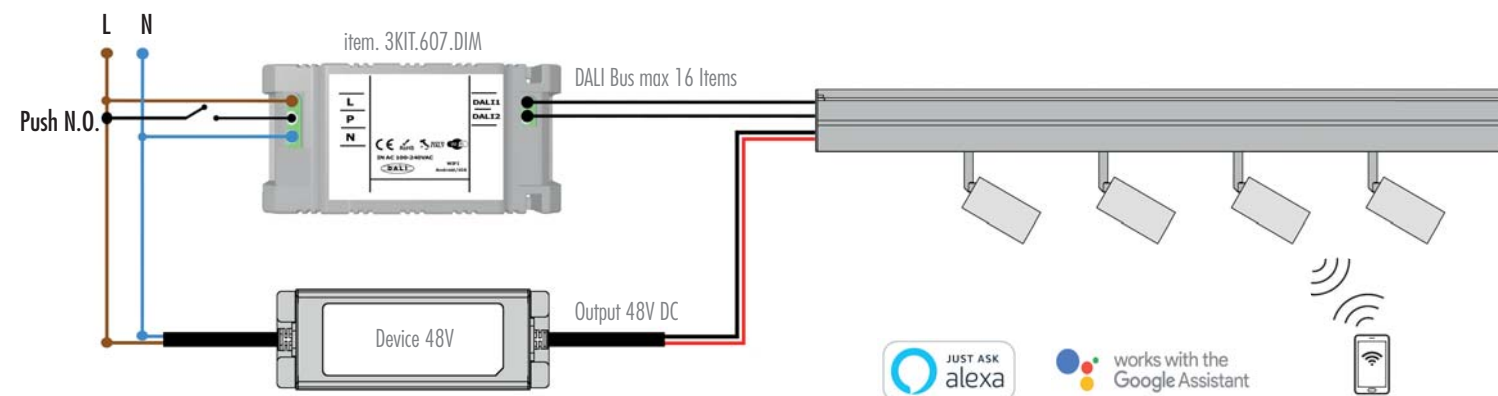
Option 1:
on/off solution



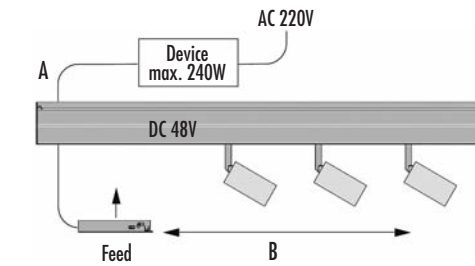
Option 2:
dimmable "Noise Free" DALI: standard addressable solution



Option 3:
dimmable "Noise Free" WiFi: auto addressable solution



Drop voltage table



Device	(A)	5 mt.	10 mt.	20 mt.	30 mt.
75W	(B)	50 mt.	50 mt.	40 mt.	30 mt.
100W	(B)	50 mt.	50 mt.	30 mt.	10 mt.
150W	(B)	20 mt.	15 mt.	5 mt.	—
240W	(B)	15 mt.	10 mt.	—	—

(A) Distance Device/Feed Unit
(B) Distance Feed Unit/Spot

Technical characteristics of the devices for 48V Track

Code	W	Size (mm)	CV	Connectable fixtures	Max distance	Cable section	Tech. Info
3KIT.048.075	75	180x63x36	48V	Max: 60W	See chart here above	2.5mm ²	100-305V 47-63Hz
3KIT.048.100	100	199x63x36	48V	Max: 70W	See chart here above	2.5mm ²	100-305V 47-63Hz
3KIT.048.150	150	219x63x36	48V	Max: 105W	See chart here above	2.5mm ²	100-305V 47-63Hz
3KIT.048.245	240	244x71x38	48V	Max: 150W	See chart here above	2.5mm ²	100-305V 47-63Hz

Led warranty ONLY when used together with devices bought from Oty srl

◀ WiFi device "Noise Free" to dim the light

Code	Size (mm)
3KIT.607.DIM	80x40x25mm

It works by WiFi with smart phone, Google Assistant or Amazon Alexa.
App on request.

