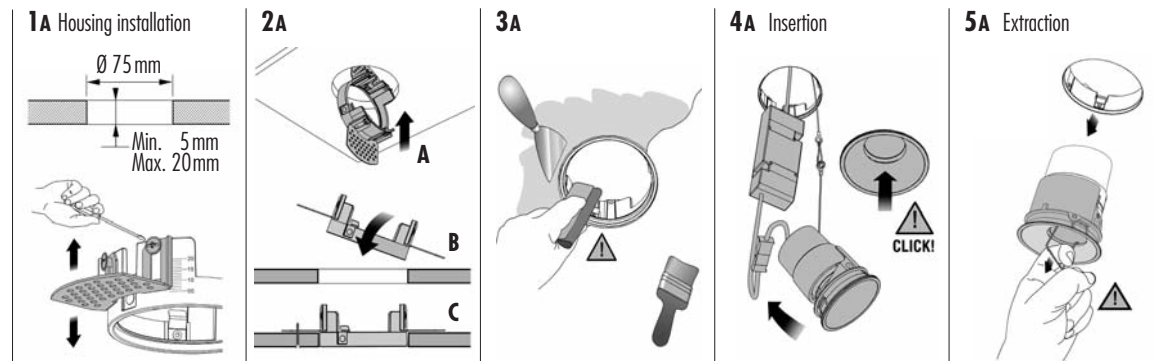
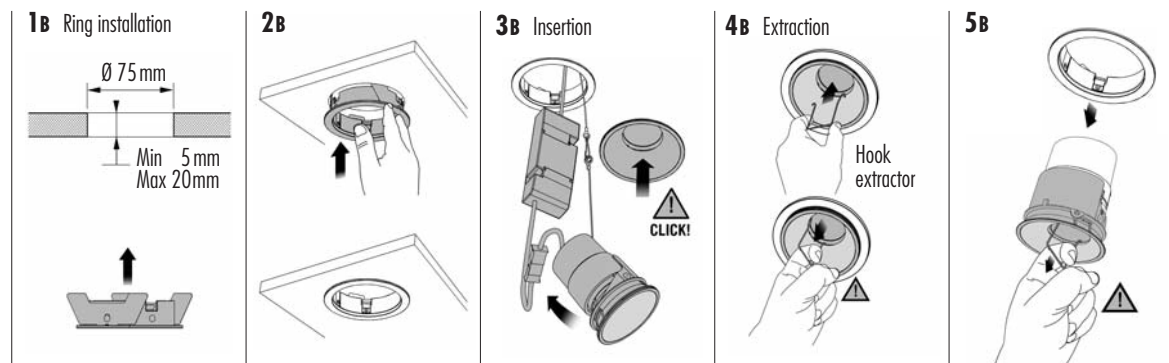


X1 - X2 - X3 - X4 (A-B)

XA: trimless



XB: with trim



Series XA
 trimless



Series XB
 with trim

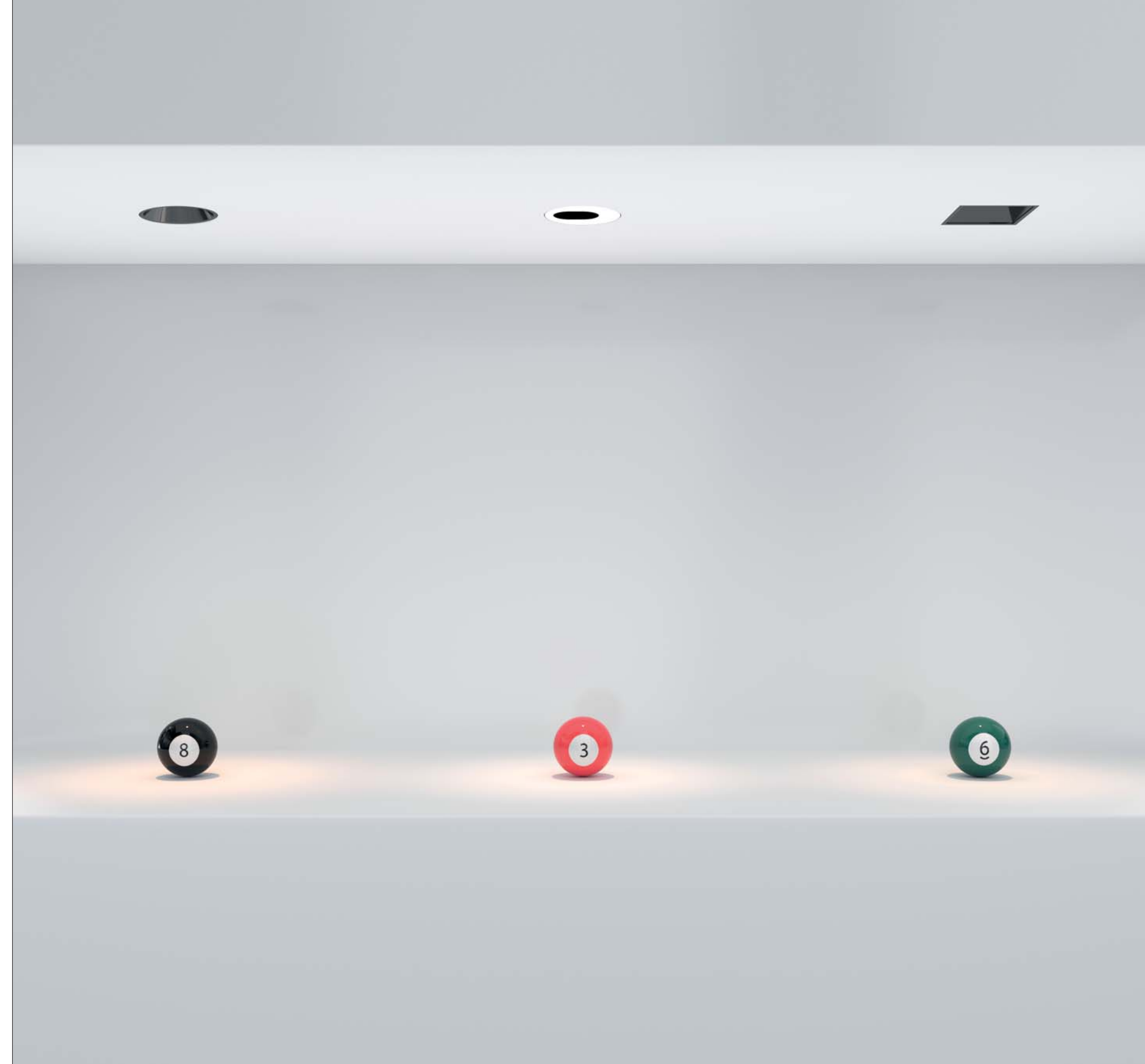


Visual comfort lighting

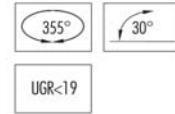
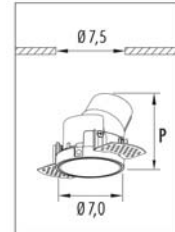
A study was applied to the minimalist design to increase the visual comfort, reducing glare (UGR <19) thanks to optics with non-reflective finishes.

The "Easy" technology allows - when needed - to replace the light source without removing the structure while keeping the ceiling intact.

The application possibilities of these items go from residential use to contract market, from installation in offices as well as in hotels.



X2A Ø 7,0 trimless (only for plasterboard)



02 Black



06 White



CH Chrome



CB Black Chrome



GD Gold

	X2A	P
3X2A.210.□	GU10 led	—
3X2A.K■▲.□	led 9,5W	13,0
3X2A.x2■S.□	led 8,0W	8,9

IP40 CE
 220V ÷ 240V
 3X2A.210.□ GU10 led

IP40 Flicker < 20% CE
 220V ÷ 240V LED 9,5W CRI>90
 3X2A.K■▲.□ dimm IGBT - TRIAC
 ■ Led color Nominal lm ▲ Beam spread
 2 = 2700°K 834 M = 36°
 3 = 3000°K 877 S = 24°

IP40 © MC-E=3 CE
 200m/A LED 8W CRI>95 Driver included
 3X2A.02■S.□ ON/OFF
 3X2A.E2■S.□ DALI - Push
 3X2A.G2■S.□ 0...10V
 3X2A.D2■S.□ dimm IGBT - TRIAC
 ■ Led color Nominal lm ▲ Beam spread
 2 = 2700°K 829 24°
 3 = 3000°K 872

Housing for plasterboard Ø 7,5cm

● 1X00.OXA.01

Option: Honeycomb cover Ø 3,8 cm

1XG3.H50.02

Option: Striped glass Ø 3,8 cm

1XG3.G50.ST

