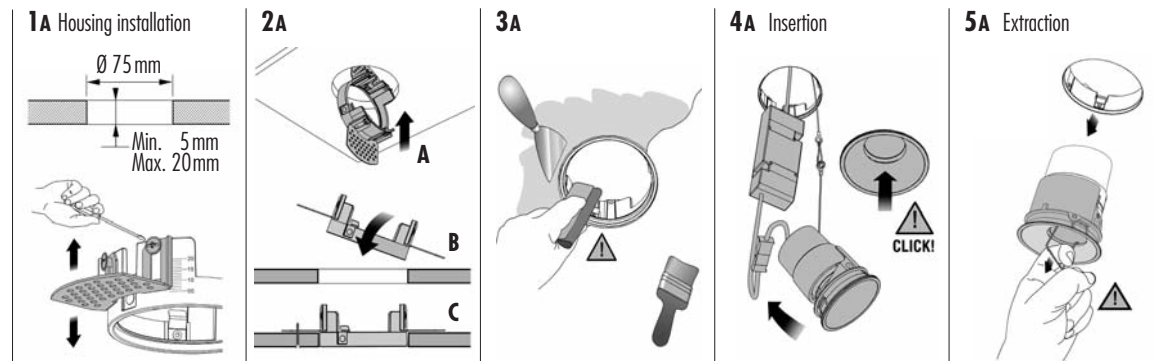
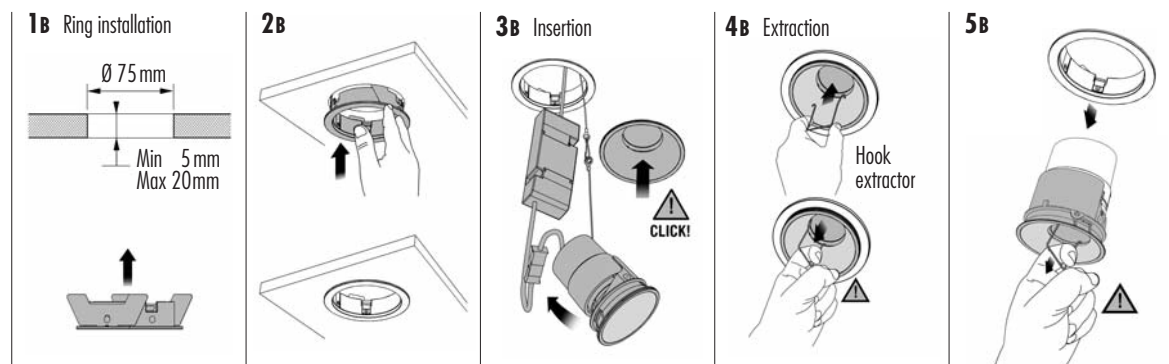


X1 - X2 - X3 - X4 (A-B)

XA: trimless



XB: with trim



Series XA
trimless



X1 A



X2 A



X3 A



X4 A

Series XB
with trim



X1 B



X2 B



X3 B



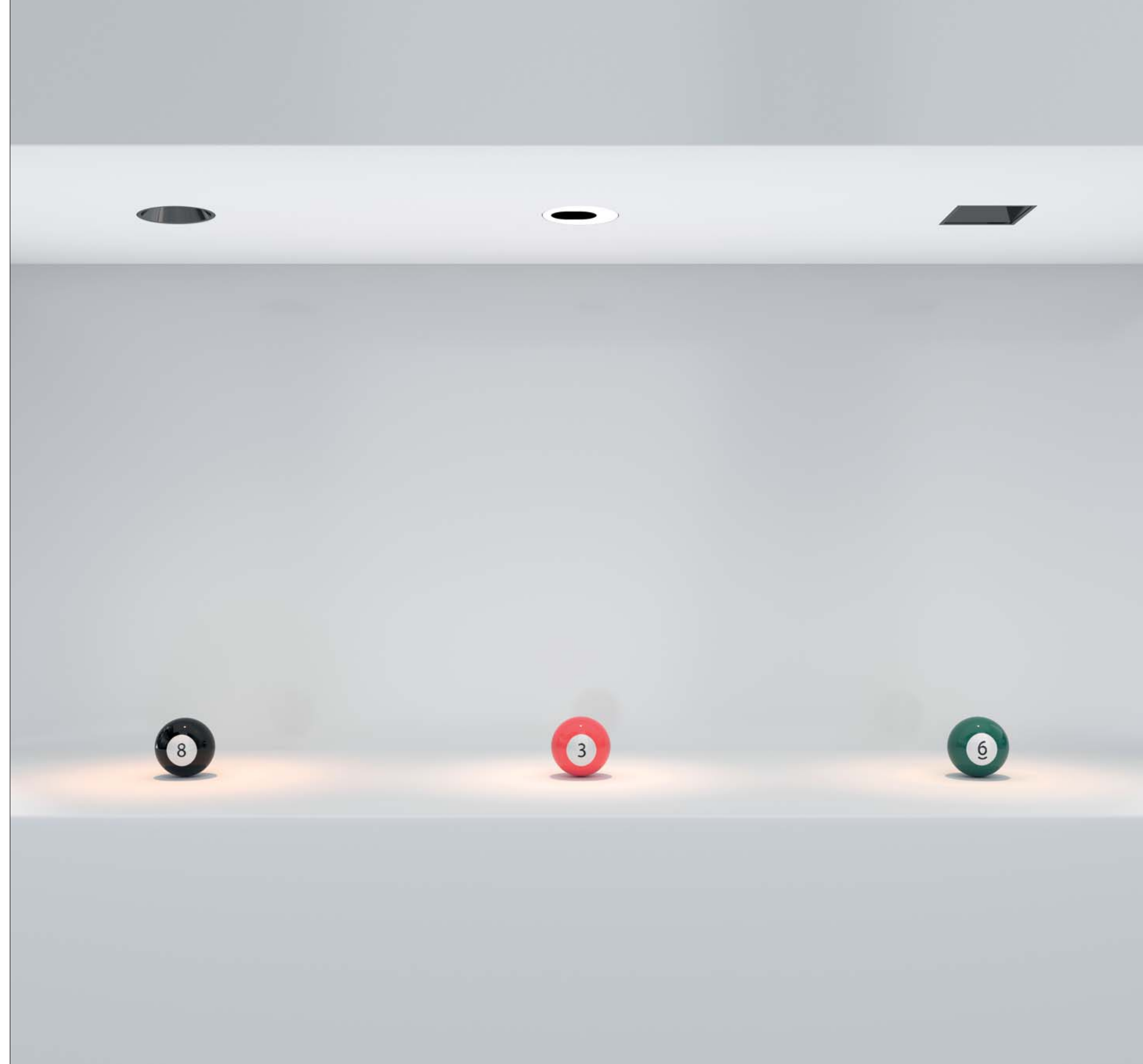
X4 B

Visual comfort lighting

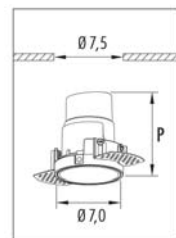
A study was applied to the minimalist design to increase the visual comfort, reducing glare (UGR <19) thanks to optics with non-reflective finishes.

The "Easy" technology allows - when needed - to replace the light source without removing the structure while keeping the ceiling intact.

The application possibilities of these items go from residential use to contract market, from installation in offices as well as in hotels.



X1A Ø 7,0 trimless (only for plasterboard)



UGR<19



02 Black



06 White



CH Chrome



CB Black Chrome



GD Gold

	X1A	P
3X1A.210.□	GU10 led	—
3X1A.K■▲□	led 9,5W	13,0
3X1A.x2■S.□	led 8,0W	8,9

IP40 CE
 220V ÷ 240V
 3X1A.210.□ GU10 led

IP40 Flicker < 20% CE
 220V ÷ 240V LED 9,5W CRI>90
 3X1A.K■▲□ dimm IGBT - TRIAC
 ■ Led color Nominal lm ▲ Beam spread
 2 = 2700°K 834 M = 36°
 3 = 3000°K 877 S = 24°

IP40 MC-E=3 CE
 200m/A LED 8W CRI>95 Driver included
 3X1A.02■S.□ ON/OFF
 3X1A.E2■S.□ DALI - Push
 3X1A.G2■S.□ 0...10V
 3X1A.D2■S.□ dimm IGBT - TRIAC
 ■ Led color Nominal lm ▲ Beam spread
 2 = 2700°K 829 24°
 3 = 3000°K 872

Housing for plasterboard Ø 7,5cm

● 1X00.OXA.01

Option: Honeycomb cover Ø 3,8 cm

1XG3.H50.02

Option: Striped glass Ø 3,8 cm

1XG3.G50.ST

