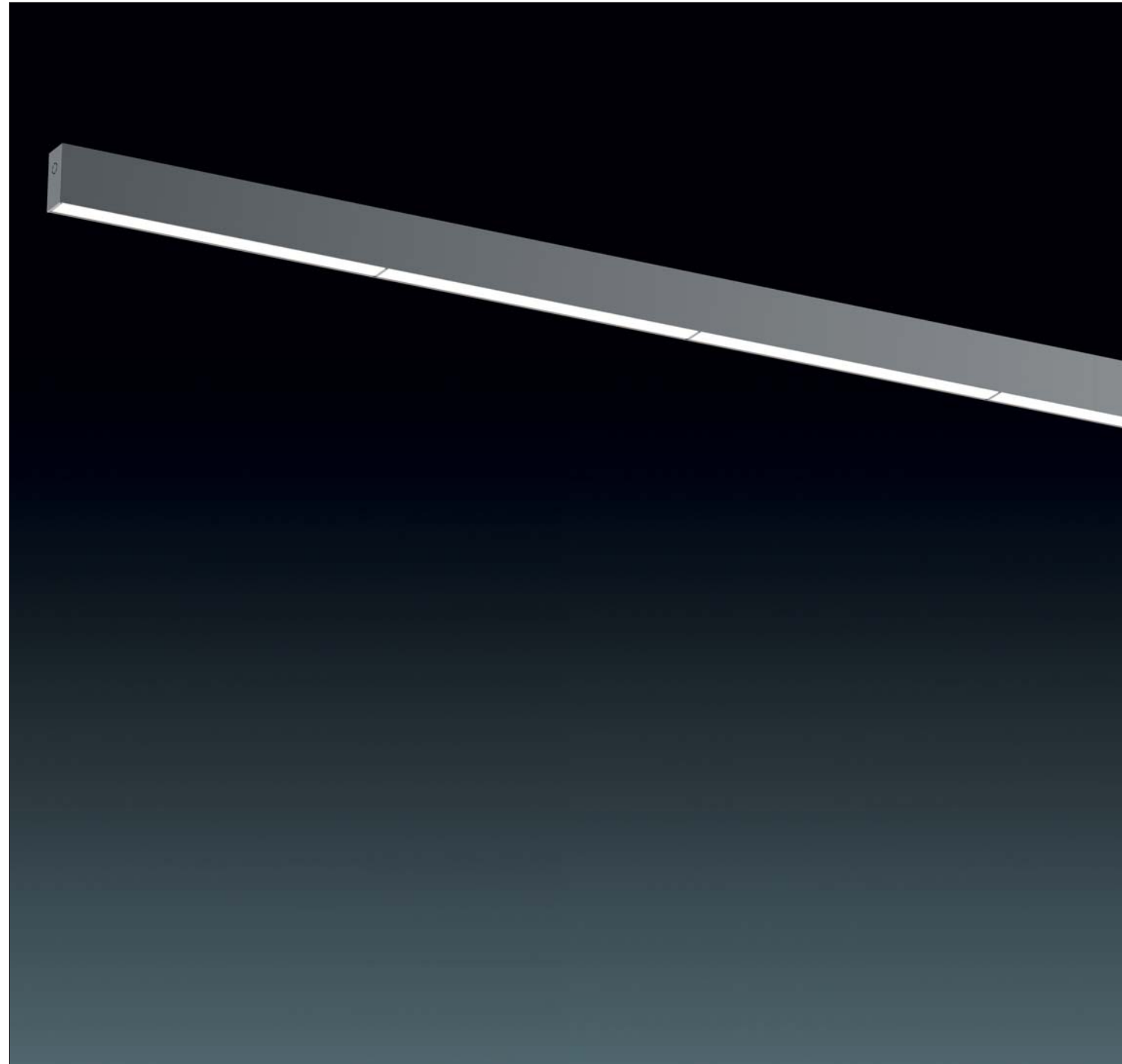
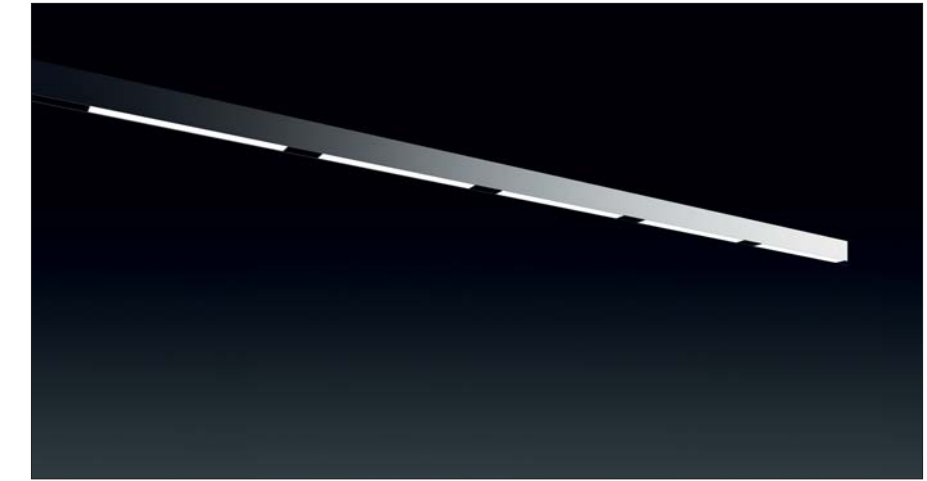
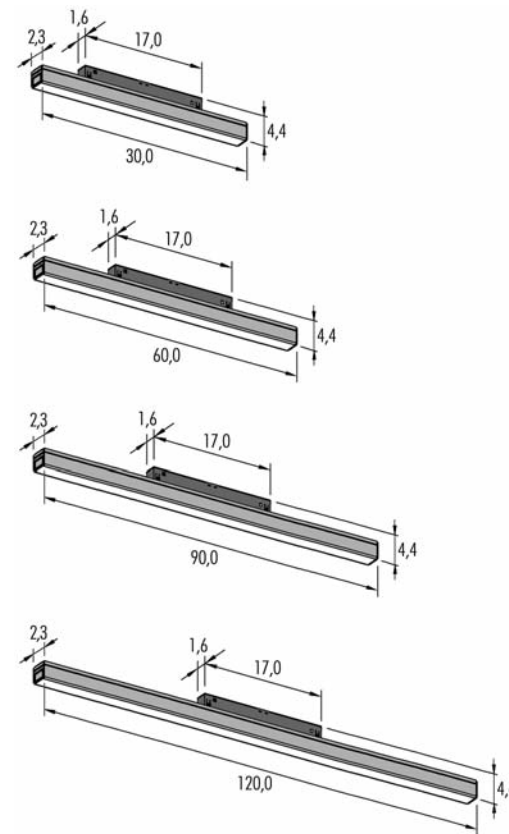


X-Line 30|60|90|120



X-Line can be used as a single element, or for unlimited length compositions without any dark zone.
Material: PC optical cover.
Light distribution: symmetric.



X-Line 30cm

IP20	MC-E=3	CE	▽	⊕
48V	LED 5W	CRI>90		
3XL1.04 ■ L.D1	on/off			
3XL1.G4 ■ L.D1	dimmable			
■ Led color	Nominal lm	▲ Beam spread		
2 = 2700 °K	460	120°		
3 = 3000 °K	500			

X-Line 60cm

IP20	MC-E=3	CE	▽	⊕
48V	LED 10W	CRI>90		
3XL2.04 ■ L.D1	on/off			
3XL2.G4 ■ L.D1	dimmable			
■ Led color	Nominal lm	▲ Beam spread		
2 = 2700 °K	920	120°		
3 = 3000 °K	1000			

X-Line 90cm

IP20	MC-E=3	CE	▽	⊕
48V	LED 15W	CRI>90		
3XL3.04 ■ L.D1	on/off			
3XL3.G4 ■ L.D1	dimmable			
■ Led color	Nominal lm	▲ Beam spread		
2 = 2700 °K	1380	120°		
3 = 3000 °K	1500			

X-Line 120cm

IP20	MC-E=3	CE	▽	⊕
48V	LED 20W	CRI>90		
3XL4.04 ■ L.D1	on/off			
3XL4.G4 ■ L.D1	dimmable			
■ Led color	Nominal lm	▲ Beam spread		
2 = 2700 °K	1840	120°		
3 = 3000 °K	2000			

Attention, before ordering the item:

- 1- Choose the appropriate 48V devices (75-100-150-200W) available on page 9, paying attention to the drop voltage table;
- 2- If you need to dim the light, choose the two options:
 - a. by a Master DALI (item not supplied by Oty);
 - b. by our dimming device 3KIT.607.DIM, available on page 9.
- 3- All our items are "Noise Free" dimming if installed as explained on page 8.