

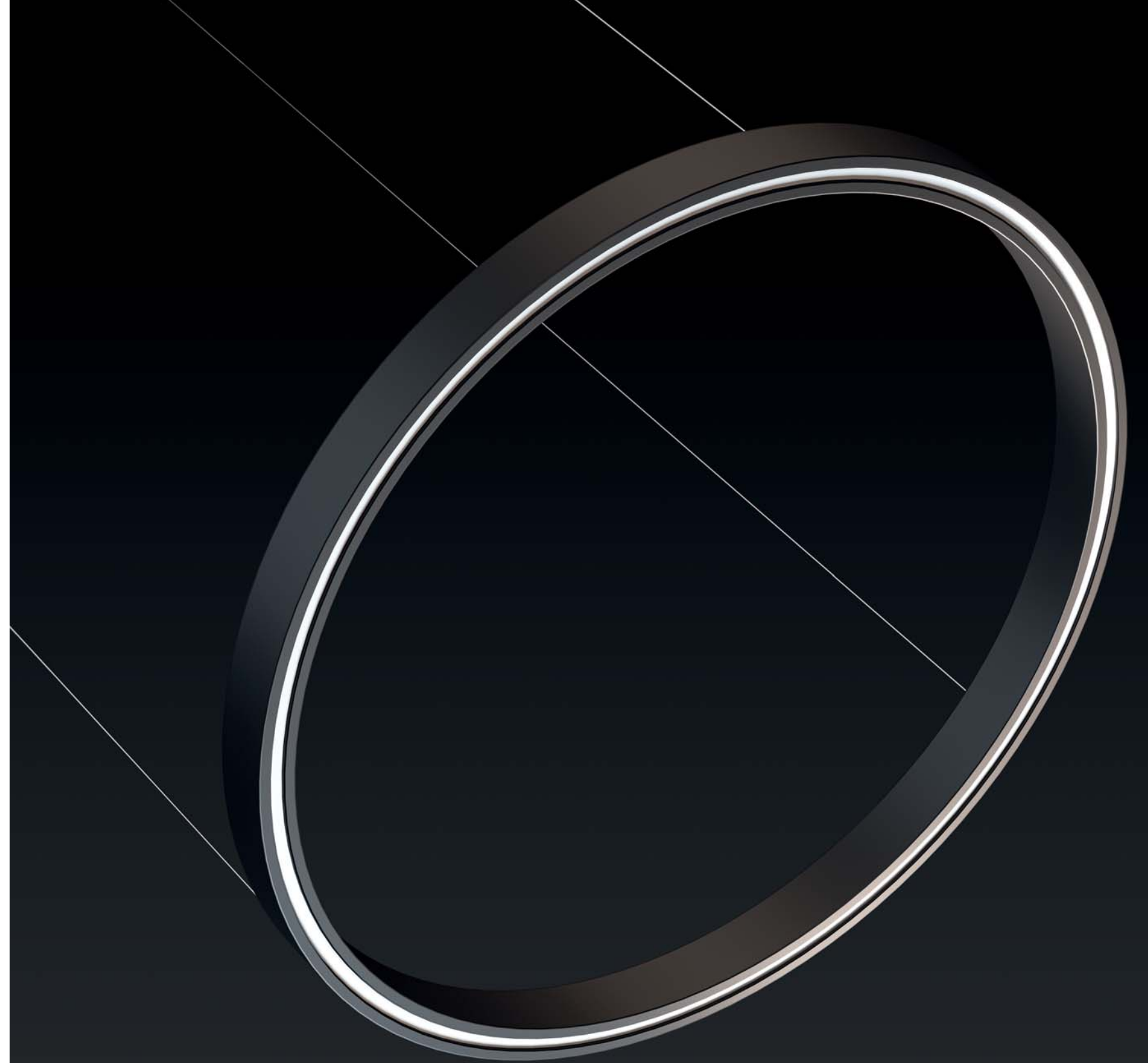
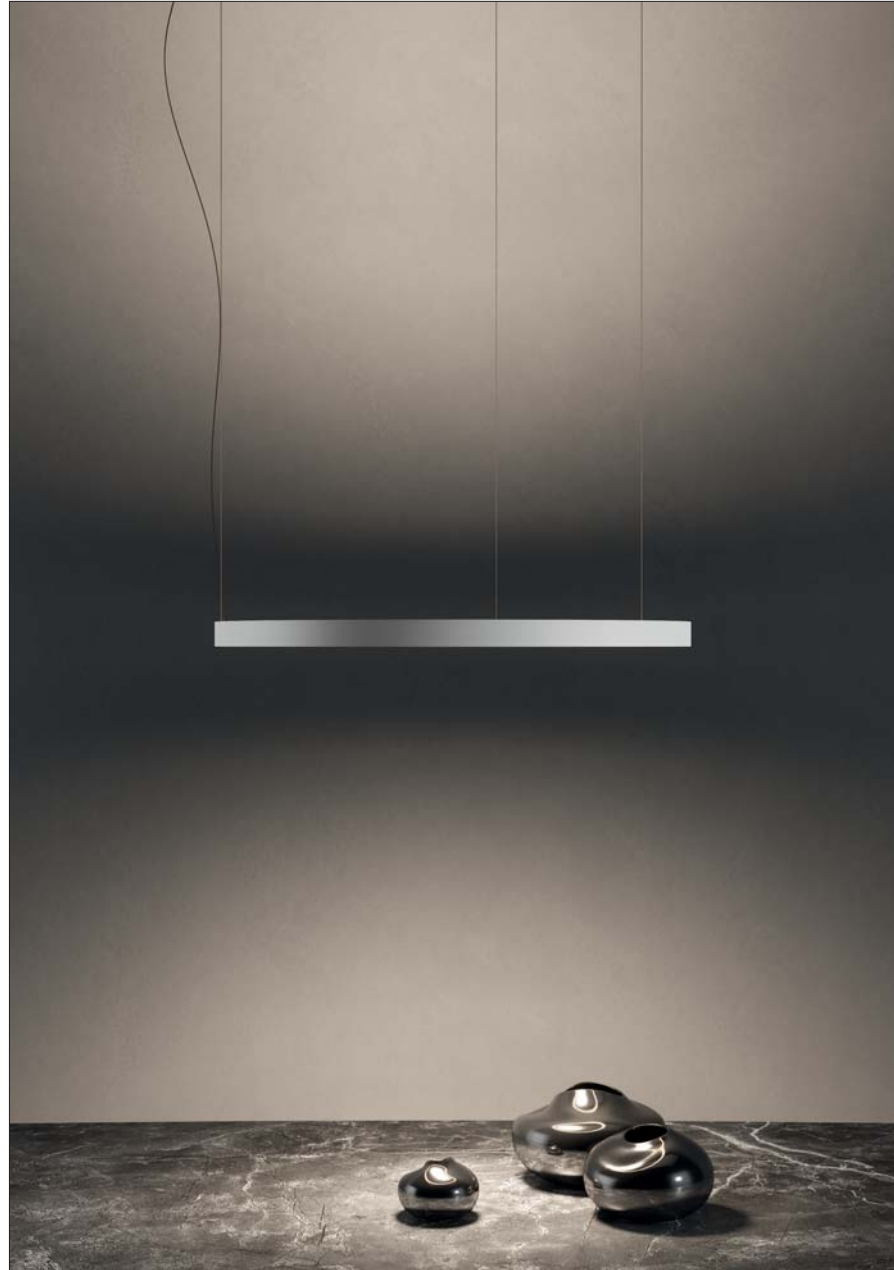
## *X-Running*

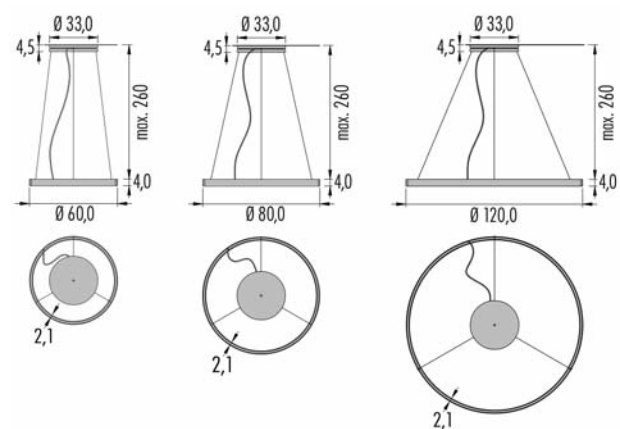
*Pendant light made of aluminum structure with upward and downward light emission.*

*Available in two versions:*

*- in sizes Ø60, Ø80 and Ø120cm, dimmable with central canopy Ø33cm.*

*- in sizes Ø60, Ø80, Ø120, Ø180 and Ø230cm, on/off or dimmable with canopy Ø7,5cm and transformer to be placed in a remote position.*





#### R06 Ø 60,0

IP40 ⓘ UGR<14 CE ▽ Ⓢ  
24V 88W CRI>90

3RC06.4 ■ L. □ DALI - Push - 1...10V

Led color	Nominal lm	Beam spread
2 = 2700 °K	6552	44°
3 = 3000 °K	7280	

□ Struttura

02 ● Nero  
06 ○ Bianco

#### R08 Ø 80,0

IP40 ⓘ UGR<14 CE ▽ Ⓢ  
24V 126W CRI>90

3RC08.4 ■ L. □ DALI - Push - 1...10V

Led color	Nominal lm	Beam spread
2 = 2700 °K	9432	44°
3 = 3000 °K	10480	

#### R12 Ø 120,0

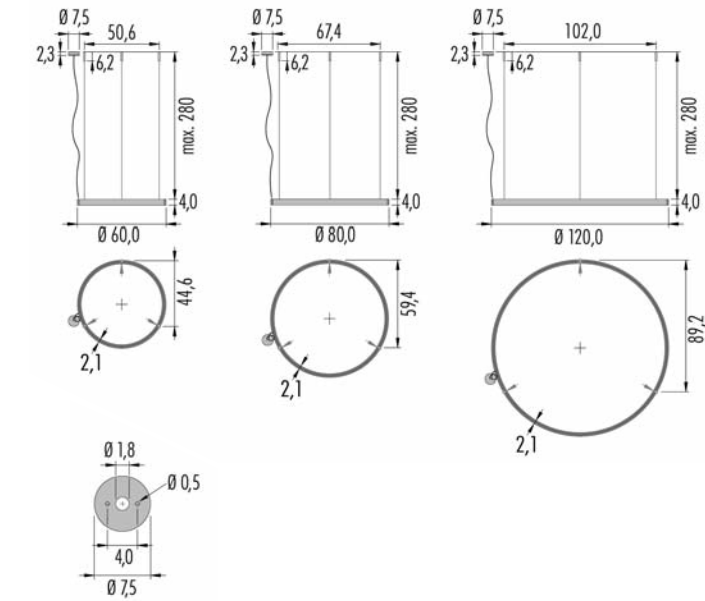
IP40 ⓘ UGR<14 CE ▽ Ⓢ  
24V 184W CRI>90

3RC12.4 ■ L. □ DALI - Push - 1...10V

Led color	Nominal lm	Beam spread
2 = 2700 °K	13752	44°
3 = 3000 °K	15280	



# X-Running



**R06 Ø 60,0** *Electronic Gear in remote position*

IP40	UGR<14	CE	▽	⊕
24V	88W	CRI>90		
<b>3R06.4</b>	<b>L</b>	on/off		
<b>Led color</b>	<i>Nominal lm</i>	<i>Beam spread</i>		
2 = 2700 °K	6552	44°		
3 = 3000 °K	7280			

**3KIT.E24.DIM** *Dimmable option:*  
DALI - Push - 1...10V

**R08 Ø 80,0** *Electronic Gear in remote position*

IP40	UGR<14	CE	▽	⊕
24V	126W	CRI>90		
<b>3R08.4</b>	<b>L</b>	on/off		
<b>Led color</b>	<i>Nominal lm</i>	<i>Beam spread</i>		
2 = 2700 °K	9432	44°		
3 = 3000 °K	10480			

**3KIT.E24.DIM** *Dimmable option:*  
DALI - Push - 1...10V

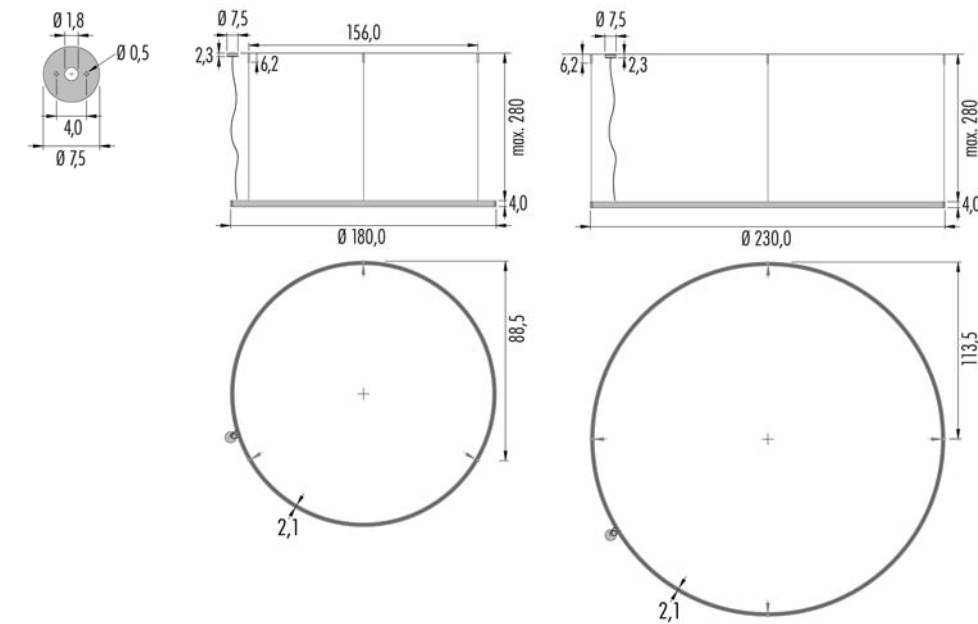
**R12 Ø 120,0** *Electronic Gear in remote position*

IP40	UGR<14	CE	▽	⊕
24V	184W	CRI>90		
<b>3R12.4</b>	<b>L</b>	on/off		
<b>Led color</b>	<i>Nominal lm</i>	<i>Beam spread</i>		
2 = 2700 °K	13752	44°		
3 = 3000 °K	15280			

**3KIT.E24.DIM** *Dimmable option:*  
DALI - Push - 1...10V

□ *Frame*

02 ● Black  
06 ○ White



- Frame
- 02 ● Black
- 06 ○ White

**R18 Ø 180,0** *Electronic Gear in remote position*

IP40	UGR<14	CE	▽	⊕
24V	270W	CRI>90		
<b>3R18.4</b>	■ L. □	on/off - 1...10V		
■ <i>Led color</i>	<i>Nominal lm</i>	<i>Beam spread</i>		
2 = 2700 °K	20232	44°		
3 = 3000 °K	22480			

**3KIT.D24.DIM** *Dimmable option:*  
DALI - Push - 1...10V

**R23 Ø 230,0** *Electronic Gear in remote position*

IP40	UGR<14	CE	▽	⊕
24V	347W	CRI>90		
<b>3R23.4</b>	■ L. □	on/off - 1...10V		
■ <i>Led color</i>	<i>Nominal lm</i>	<i>Beam spread</i>		
2 = 2700 °K	26028	44°		
3 = 3000 °K	28920			

**3KIT.D24.DIM** *Dimmable option:*  
DALI - Push - 1...10V